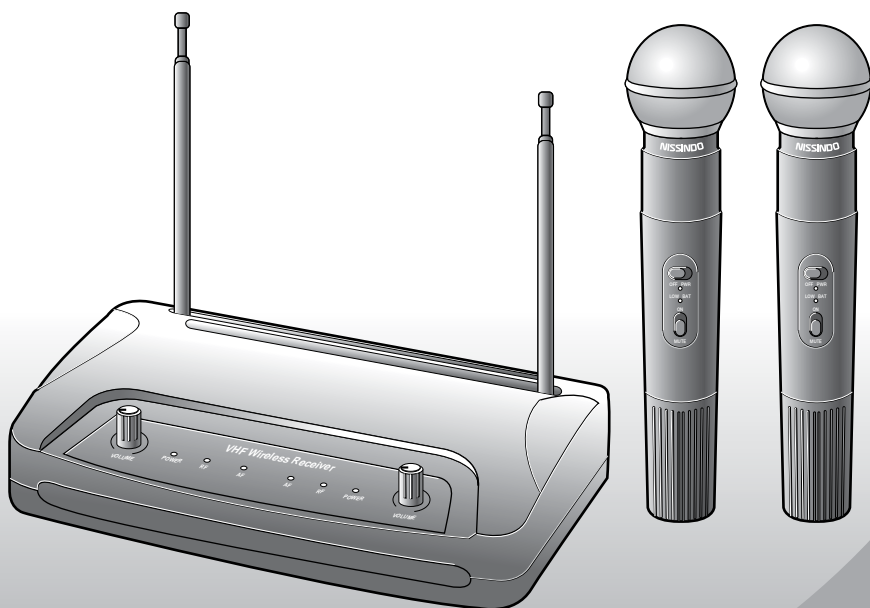




NISSINDO

Model: LX-2020 Dual Handheld Dynamic
VHF Wireless Microphone System

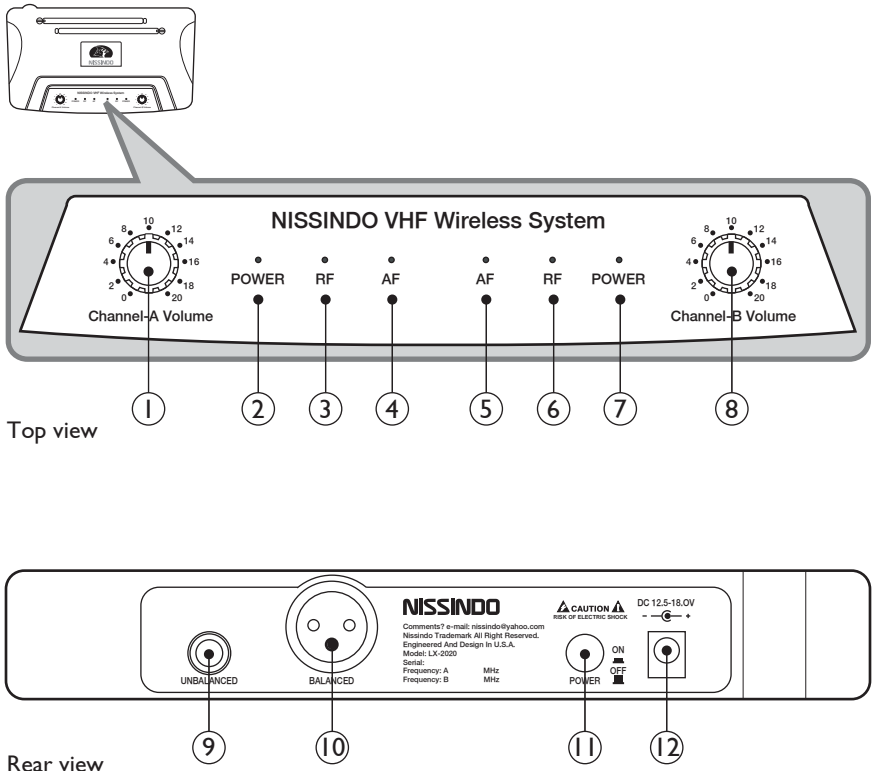
Installation and Operation



Free Style

Techniques VHF Wireless
For Singing Microphone
Karaoke System

LX-2020 Receiver Features and Controls (Figure 1)

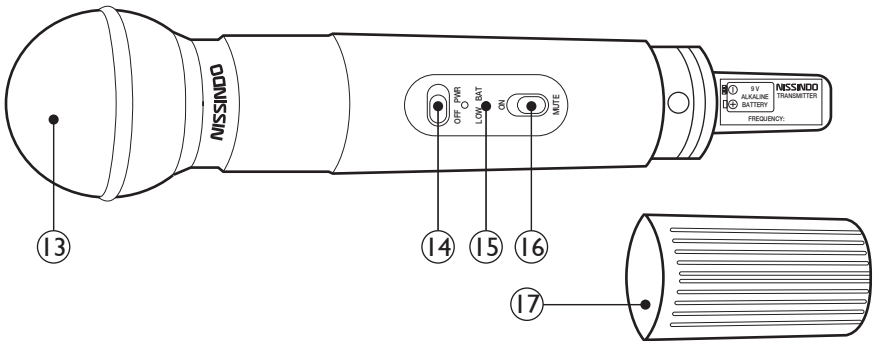


Top view

Rear view

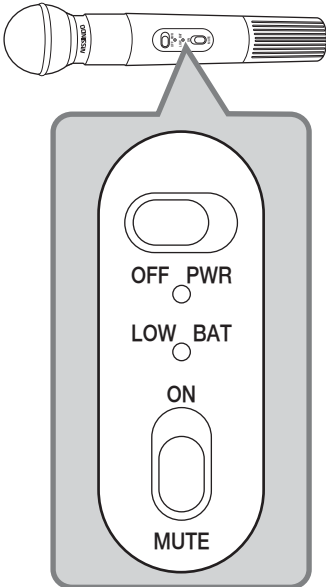
1. Channel-A AF volume adjust output jacks +/-15KHz.
2. Channel-A Power.
3. RF Peak indicators (Channel-A).
4. AF Peak indicators (Channel-A).
5. AF Peak indicators (Channel-B).
6. RF Peak indicators (Channel-B).
7. Channel-B Power.
8. Channel-B AF volume adjust output jacks +/-15KHz.
9. Mixed channels 1/4-inch unbalance audio output connector.
10. Mixed channels XLR balance audio output 50Hz~15KHz +/-3dB.
11. Power switch On/Off.
12. Docking power supply with removable IEC cable 12.5-18.0 V.

LX-2020 Handheld Transmitter (Figure 2)



- 13. Rugged unidirectional dynamic element.
- 14. Easily-accessible power switch On/Off.
- 15. Indicates low battery
- 16. Transmitter On and Mute switch.
- 17. Variable battery cover.

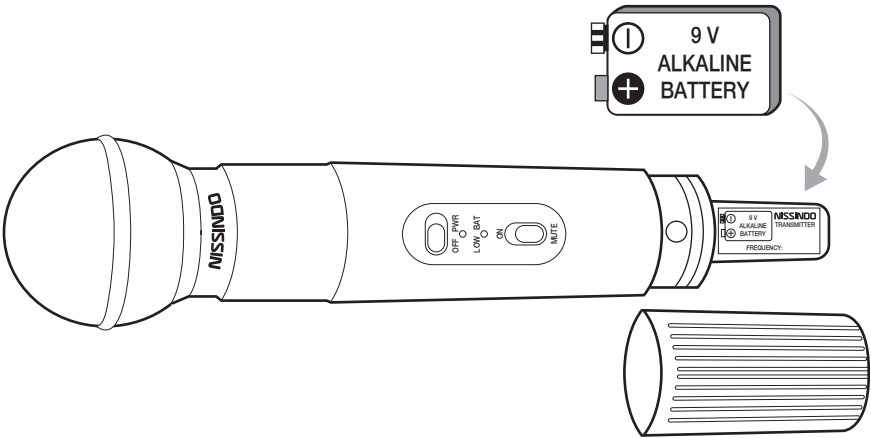
Lx-2020 Transmitter Features and Controls (Figure 3)



Battery condition Indicator: After battery is installed, turn the power on. The battery condition indicator signal light should flash once. If it does not, the battery is installed incorrectly or it is dead. If the indicator signal light stays on (does not flash), the battery voltage is low and the battery should be replaced. If this happens during use, replace (or recharge) the battery immediately to ensure continued operation.

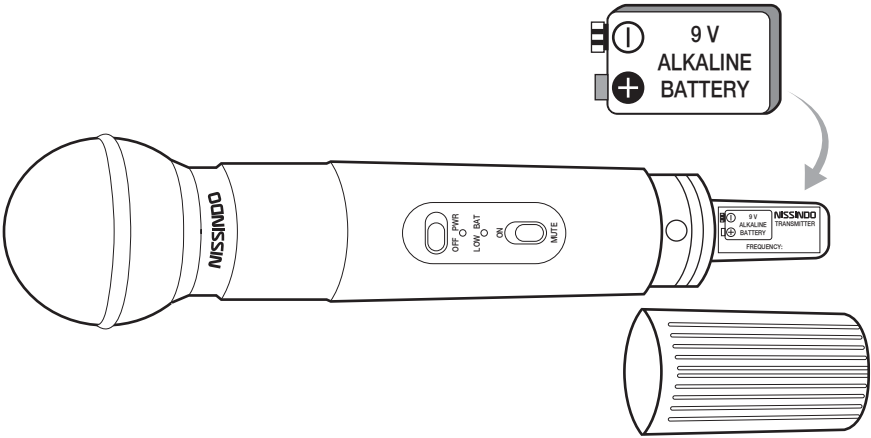
Transmitter power switch (On/Off)

Handheld Transmitter Channel A (Figure 4)



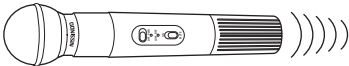
Make sure that you insert the battery at the right electric poles.

Handheld Transmitter Channel B (Figure 5)

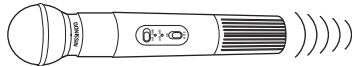


Make sure that you insert the battery at the right electric poles.

LX-2020 VHF Wireless System Chart (Figure 6)



Channel A Handheld Transmitter

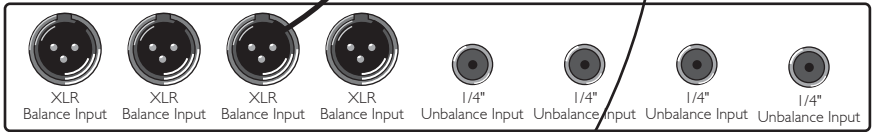


Channel B Handheld Transmitter

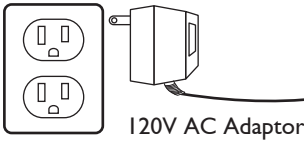


Rear View

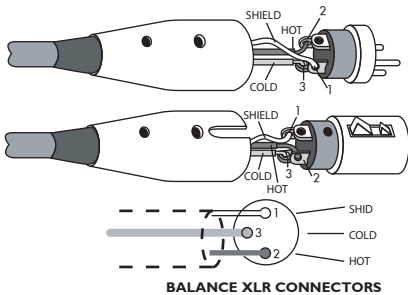
Balance Connection



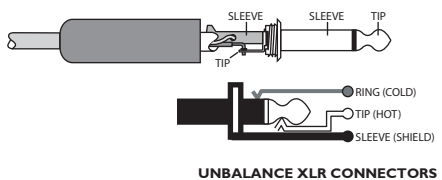
Audio Mixer Amplifier or a Karaoke Unit Input terminal



Audio Cable Balance (Figure 7)



Audio Cable Unbalance (Figure 8)



Thank you for purchasing this unit. To make full and effective use of this unit, please read this Owner's Manual carefully before operating it.

After reading, retain this booklet together with the Warranty Card for future use in case of defections or other troubles.



Comments to
29300 Kohoutek Way #150
Union City, CA 94587 U.S.A.
E-mail: info@nissindousa.com
Website: www.nissindousa.com
Nissindo Trademark All Rights Reserved.



Printed on recycle paper from a renewable source.

Code: Y040716-ID