



WS-6215

Full-Range Loudspeaker

The model WS-6215 speaker has great sound and massive full-range performance in a simple floor stand speaker system.



Congratulation &
Thank You for
Purchasing
Nissindo
Products!

Designed for Professional Performance

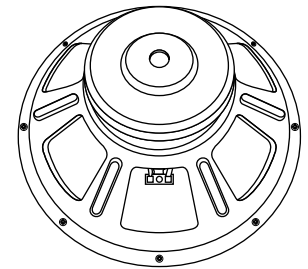
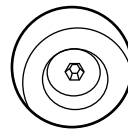
Designed to bring down the house, no matter what size venues you play. Their rugged design lets you stack, pack or fly any way you want. Cabinets also incorporate karaoke speaker protection which virtually eliminates blown speakers.

Unique Sound Effect

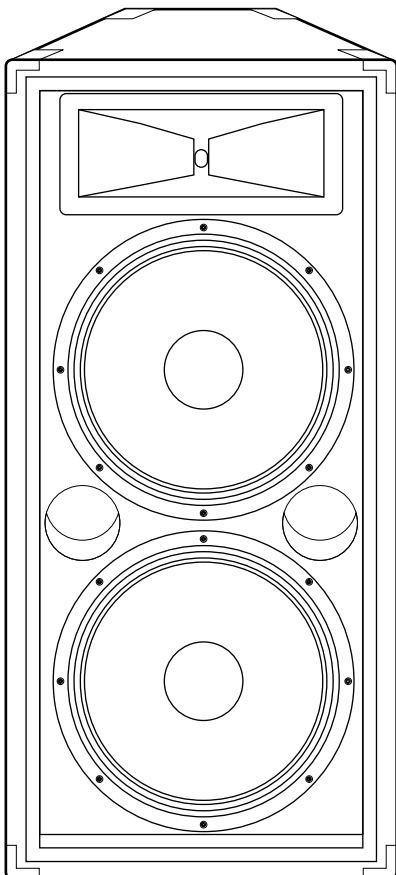
WS-6215 is designed for strong power bass with two 15-inch woofers. The cabinet of WS-6215 is made of light wood in order to reduce the total weight, so it can be carried easily. Therefore, this model can be used for both outdoor and indoor activities such as party at home, outdoor wedding and equipment rental, etc. WS-6215 is also equipped with a special horn possessing frequency response from 50Hz~20Hz. Therefore, it can enhance your singing performance by mixing the vocal and music together.

Please note that the cabinet of WS-6215 is not water-proof. Please do not put this model in a moisture environment, otherwise it would damage the speaker. There are 4 rubbers on the top of the cabinet to protect the corners from breakage. There are 4 rubber feet on the bottom of the cabinet for anti-shock, so the speaker can produce strong bass.

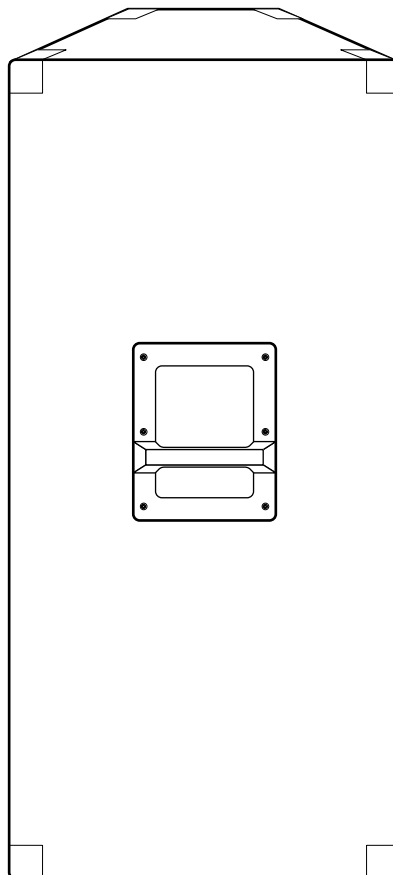
Rubber feet 15" Woofer Component



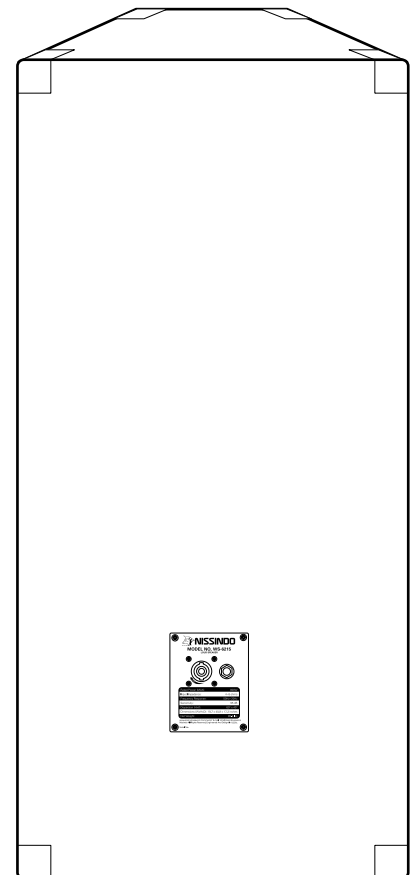
Front View



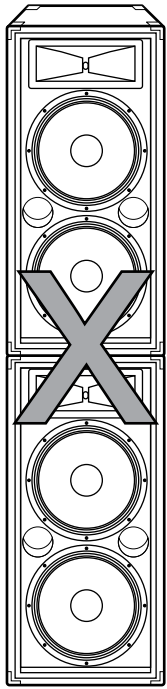
Side View



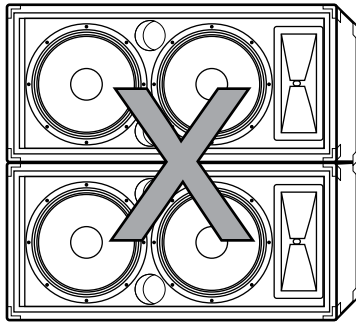
Rear View



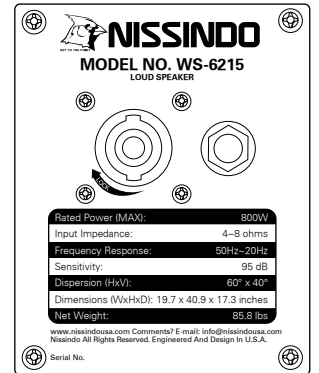
Speaker Position



WS-6215 speaker is not designed to place in the positions as indicated in figure 1 and 2. They are not hanged flying from the ceiling because the cabinet materials are not designed this way. If you want to position the WS-6215 as indicated in figure 1 and 2, we recommend you to choose different models with that particular function. We also highly recommend you to hire professional for installation. This is for your own safety and protection.

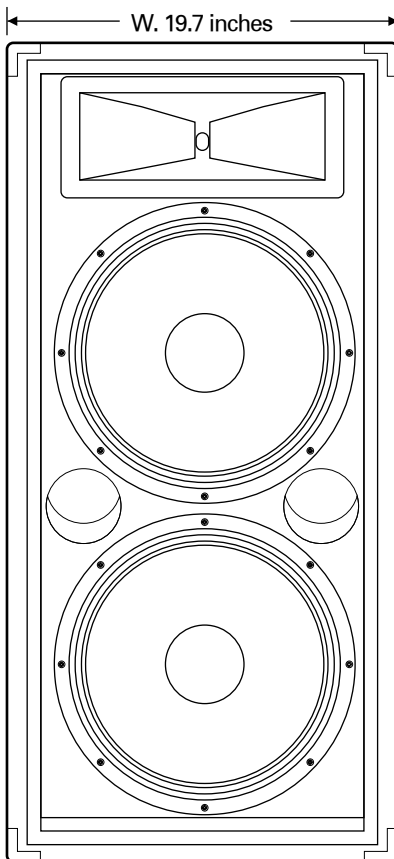


Input Terminal



Two types of speaker terminal: phone jack 1/4 and parallel 4-pins Neutrik Speakon connectors.

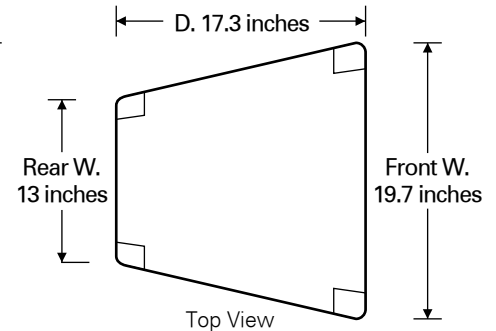
Dimensions (WxHxD)



Front View



Side View



Top View





An appliance and cart combination should be move with care. Quick stops, excessive force and uneven surfaces may cause the appliance and cart combination to overturn.

Servicing

Do not attempt to service the set yourself as opening or removing covers may expose you to dangerous voltage or other hazards. Refer all servicing to qualified service personnel.

Replacement parts

When replacement parts are required, be sure the service technician has used replacement parts specified by the manufacturer that have the same characteristics as the original parts. Unauthorized substitutions may result in fire, electric shock, or other hazards.

Safety check

Upon completion of any service or repairs to the set, as the service technician to perform routine safety checks (as specified by the manufacturer) to determine that the set is in safe operating condition.

If the set does not operate normally when following the operating instructions. Adjust only those controls that are specified in the operating instructions. Improper adjustment of other controls may result in damage and will often require extensive work by a qualified technician to restore the set to normal operation.

When the set exhibits a distinct change in performance - this indicates a need for service.

If the set has been subject to excessive shock by being dropped, or the cabinet has been damaged.

If liquid has been spilled or objects have fallen into the set.

Specifications

Speaker Type	Loud Speaker	Sensitivity	95 dB
Woofer Size	Dual 15"	Horn Dispersion.....	90 x 40 Cons. Dir
Voice Coil Dia.	1.5"	Dimensions (WxHxD).....	19.7x40.9x17.3 inches
Input Impedance.....	4~8 ohms	Packaging Dimensions.....	23.5x45x22 inches
Frequency Response	50Hz~20Hz	Net Weight (Without Package).....	85.8 lbs
Rated Power (MAX).....	800W	Shipping Weight.....	98 lbs